

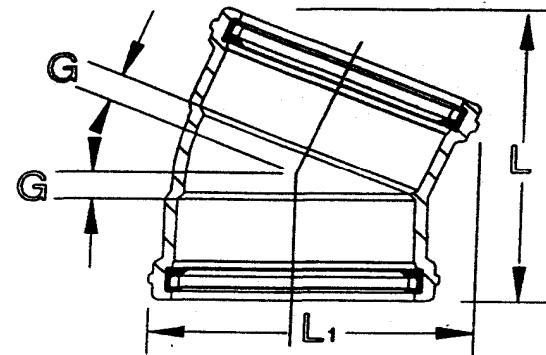


# Specified Fittings, LLC

164 West Smith Road • PO Box 28157 • Bellingham, WA 98228-0157 | Email: sales@specfit.com

Bellingham: 360-398-7700 | 360-398-7051 Fax  
Stevensville: 406-777-3466 | 406-777-7181 Fax  
Mexico (Toll Free): 800-429-1705 | 800-574-1075 Fax

Size	G	L	L1
4"	0.535	6.062	5.25
6"	0.75	4.062	5.675
8"	0.805	8.625	8.125
10"	1.1	9.437	10.75
12"	2.75	15.75	13.75



## **DISCLAIMER - PLEASE READ**

*Due to various factors affecting production, all dimensions are approximate. Dimensions and appearance are subject to change without notice due to design or production modifications. Angle tolerance for elbows is +/- 2 degrees. All fittings are subject to Specified Fittings "Standard Terms and Conditions." A copy of this drawing must accompany all purchase orders for this fitting.*

Description:	22 1/2- Degree Elbow - Molded
Material	SDR35 Sewer
Size:	See Chart
Configuration:	Gasket x Gasket

## **FITTINGS FOR SEWER ASTM D3034**

All fittings for PSM SDR35/F679 pipe shall be one-piece injection molded or fabricated from a PVC compound meeting ASTM D1784. Solvent weld- or gasket-end fittings are option of user. Solvent weld bells shall be as defined in ASTM D3034/F679. Gasket bells shall conform to ASTM D3212 and ASTM F477. Fittings shall also conform to ASTM F913 and ASTM F1336. Gaskets shall be locked-in style.