

Specified Fittings' "Spec-Loc" Fittings

Using Bulldog Joint Restraint Technology

Eliminate the Need for External Restraints

Specified Fittings and S&B Technical products have worked together to bring to market a technological innovation that may eliminate the need for external joint restraints. Using S&B's patented *Bulldog Restraint System*, Specified fittings installs these joint restraints into the gasket bells of its Spec-Loc fittings. Installing these fittings onto pipe is as simple as traditional PVC gasket bell installation, and once fitting is installed on pipe, establishment of positive joint restraint is achieved simply by pressurizing the line.

Specifications

Specified Fittings offers Spec-Loc fittings in every fitting configuration offered in a size range of 4"-16". Fittings meet requirements of AWWA C900/C905 and restraints meet requirements of ASTM F1674.

Benefits of Spec-Loc Fittings

Corrosion Resistance:

Because the restraint is located within the PVC fitting, it is not exposed to exterior elements, and because it is located behind the Rieber gasket, it is not in contact with internal fluid flow.

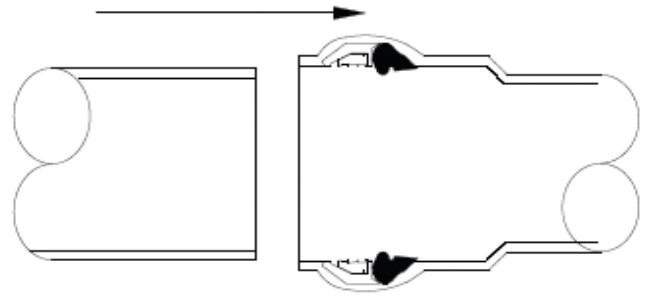
Ease of Installation:

Installing the pipe into a Spec-Loc fitting also completes the restraint installation. There are no worries of over or under torquing rods, bolts, and nuts, and no special tools are required. Not only is improper installation nearly impossible, but without procedures required for restraining pipe in addition to installing fittings, Spec-Loc fittings can drastically limit manpower required.

No Point Loading:

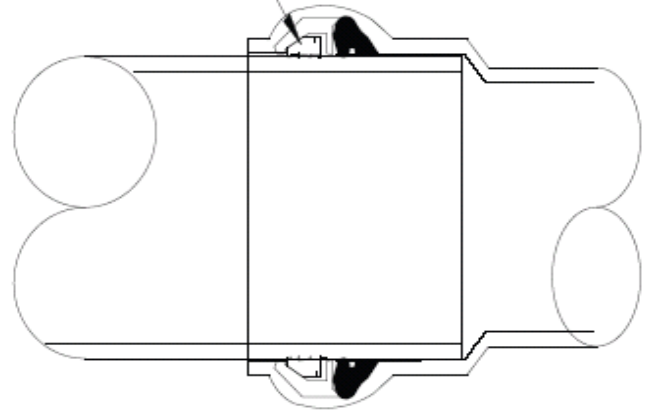
With installation of more traditional restraint systems, manual tightening can cause point-loading, which affects hydrostatic strength and can cause long-term problems such as leakage or failure. Spec-Loc fittings eliminate the potential of point loading.

Please contact Specified Fittings about Spec-Loc Fittings with the internalized Bulldog Joint Restraint System for sales, more technical information or installation instructions as well as our other, full, product lines.



INSERTION IS AS SIMPLE AS A STANDARD GASKET JOINT

**AFTER INSERTION
RESTRAINING RING
LOCKS PIPE**



Specified Fittings, LLC

164 West Smith Road • PO Box 28157 • Bellingham, WA 98228-0157 | Email: sales@specfit.com

Bellingham: 360-398-7700 | 360-398-7051 Fax
Stevensville: 406-777-3466 | 406-777-7181 Fax
Mexico (Toll Free): 800-429-1705 | 800-574-1075 Fax