

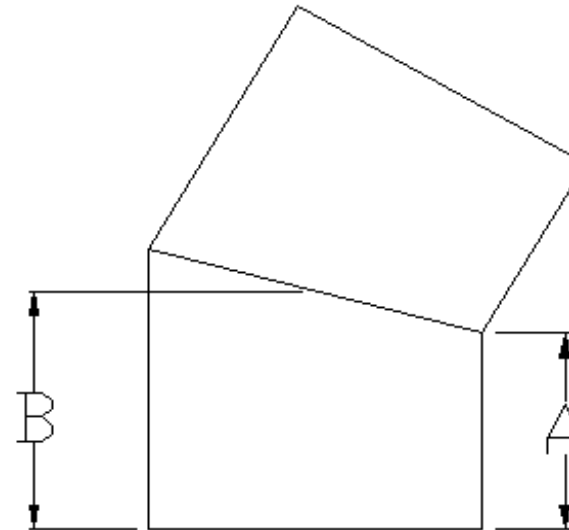
## SPECIFIED FITTINGS, LLC

164 W. SMITH RD  
 BELLINGHAM, WA 98226  
 888-734-8846 (T)  
 888-734-8258 (F)  
[spec@specfit.com](mailto:spec@specfit.com)

483 STEVENSVILLE AIRPORT RD.  
 STEVENSVILLE, MT 59870  
 406-777-3466 (T)  
 406-777-7181 (F)  
[sales@specfit.com](mailto:sales@specfit.com)

[www.spectit.com](http://www.spectit.com)

SIZE	OD	A	B	CL/150 PART #	CL/200 PART #
2"	2.375	4	4.25	HD3402FM150	HD3402FM200
3"	3.5	4	4.5	HD3403FM150	HD3403FM200
4"	4.5	6	6.5	HD3404FM150	HD3404FM200
5"	5.563	6	6.75	HD3405FM150	HD3405FM200
6"	6.625	6	7	HD3406FM150	HD3406FM200
8"	8.625	6.5	7.75	HD3408FM150	HD3408FM200
10"	10.75	6.5	8	HD34010FM150	HD34010FM200
12"	12.75	8	9.75	HD34012FM150	HD34012FM200
14"	14	8	10	HD34014FM150	HD34014FM200
16"	16	8	10.25	HD34016FM150	HD34016FM200
18"	18	8	10.5	HD34018FM150	HD34018FM200
20"	20	8	10.75	HD34020FM150	HD34020FM200
24"	20	10	13.25	HD34024FM150	HD34024FM200



Description: IPS HDPE 2 PC 30 DEGREE  
 ELBOW PLAIN-ENDS  
 Material: HDPE  
 Size: 2" - 24"  
 CLASS 150, CLASS 200  
 PSI RATINGS 150, 200

**NOTE:**

Fittings are manufactured and tested to the requirements of ASTM D3035, D3261, AWWA C901 or C906, and FM 1613. These fittings are tested to the requirements of ASTM D3261 and are compatible for heat fusion with any pipe and or fitting of compatible resin. Made from PE3408/3608 or PE4710 material. All raw material shall comply with NSF-61. Other OD's, SDR's and Pressure Ratings available upon request. Per FM 1613 and AWWA C906, the working pressure rating equals the pressure class with an allowance included in the WPR for pressure surge.  
 FOR DISCLAIMER REFER TO FM DIMENSION CATALOG.