



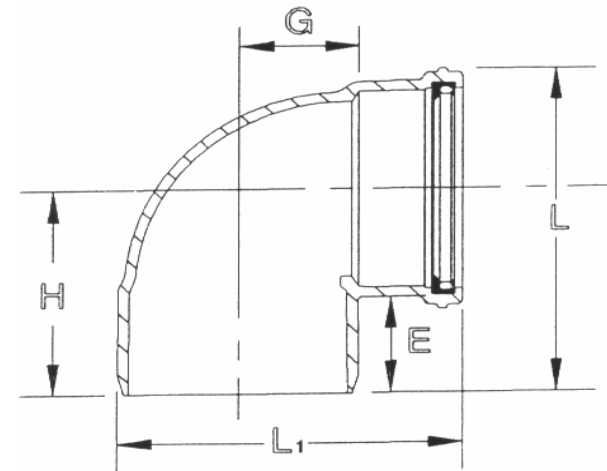
Specified Fittings, LLC

164 West Smith Road • PO Box 28157 • Bellingham, WA 98228-0157 | Email: sales@specfit.com

Bellingham: 360-398-7700 | 360-398-7051 Fax
Stevensville: 406-777-3466 | 406-777-7181 Fax
Mexico (Toll Free): 800-429-1705 | 800-574-1075 Fax

SIGNED DRAWINGS MUST ACCOMPANY PURCHASE ORDER OR DIMENSIONS OF FITTINGS WILL NOT BE GUARANTEED

Size	G	H	E	L	L1
4"	2.215	4.95	2.335	7.187	6.838
6"	3.275	6.038	2.729	9.625	9.125
8"	4.375	8.088	3.49	12.838	11.125
10"	5.5	11.906	5.91	17.813	14.875
12"	6.5	12.399	5.888	19.563	17



DISCLAIMER - PLEASE READ

- 1) All dimensions approximate, subject to change without notice
--Angle tolerance is +/- 2 degrees
--All other dimensions to +/- 1"
- 2) This drawing only applicable if a copy is referenced at time of order.
--Without a copy of drawing, fitting construction may differ from that shown.
- 3) Subject to Specified Fittings Standard Terms and Conditions.

Description: Short Turn 90 Degree Elbow - Molded
Material: SDR35 Sewer
Size: See Chart
Configuration: Gasket x Male