



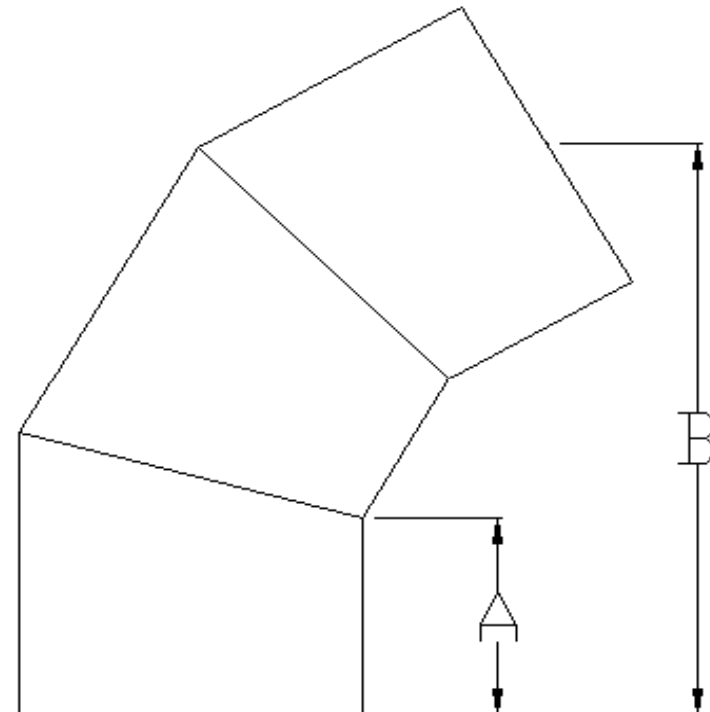
Specified Fittings, LLC

164 West Smith Road • PO Box 28157 • Bellingham, WA 98228-0157 | Email: sales@specfit.com

Bellingham: 360-398-7700 | 360-398-7051 Fax
Stevensville: 406-777-3466 | 406-777-7181 Fax
Mexico (Toll Free): 800-429-1705 | 800-574-1075 Fax



SIZE	OD	A	B	CL/150 PART #	CL/200 PART #
4"	4.8	5.75	14	HD3604FM150DIPS	HD3604FM200DIPS
6"	6.9	6.5	16	HD3606FM150DIPS	HD3606FM200DIPS
8"	9.05	7.25	19.5	HD3608FM150DIPS	HD3608FM200DIPS
10"	11.1	7.25	21	HD36010FM150DIPS	HD36010FM200DIPS
12"	13.2	7.75	23	HD36012FM150DIPS	HD36012FM200DIPS
14"	15.3	8.75	26	HD36014FM150DIPS	HD36014FM200DIPS
16"	17.4	9.25	28	HD36016FM150DIPS	HD36016FM200DIPS
18"	19.5	10	30.75	HD36018FM150DIPS	HD36018FM200DIPS
20"	21.6	10	32.25	HD36020FM150DIPS	HD36020FM200DIPS
24"	25.8	10.5	36.5	HD36024 FM150DIPS	HD36024FM200DIPS



Description: DIPS HDPE 3 PC 60 DEGREE ELBOW
PLAIN-ENDS

Material: HDPE

Size: 4" - 24"
CLASS 150, CLASS 200

PSI RATING: 150, 200

Version 1.3, Copyright 2013

NOTE:

Fittings are manufactured and tested to the requirements of ASTM D3035, D3261, AWWA C901 or C906, and FM 1613. These fittings are tested to the requirements of ASTM D3261 and are compatible for heat fusion with any pipe and or fitting of compatible resin. Made from PE3408/3608 or PE4710 material. All raw material shall comply with NSF-61. Other OD's, SDR's and Pressure Ratings available upon request. Per FM 1613 and AWWA C906, the working pressure rating equals the pressure class with an allowance included in the WPR for pressure surge. FOR DISCLAIMER REFER TO FM DIMENSION CATALOG.