

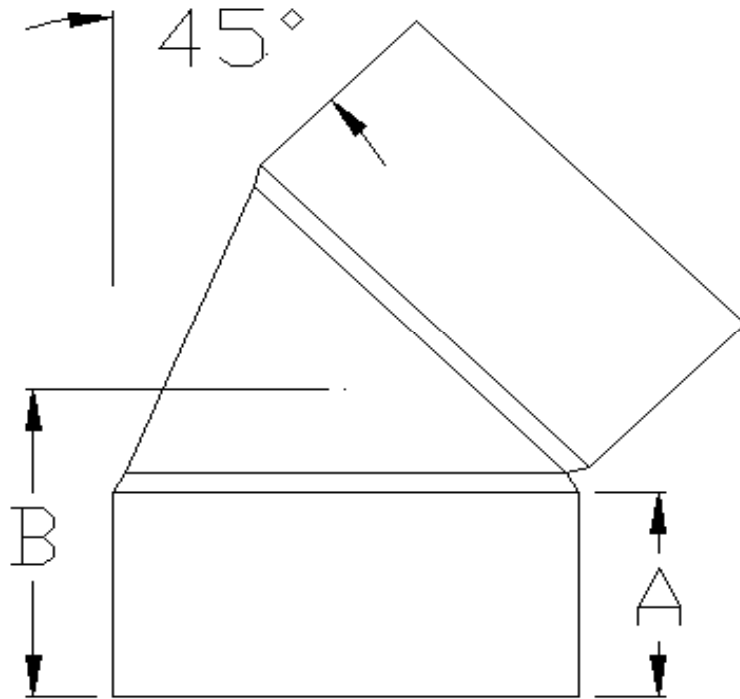


Specified Fittings, LLC

164 West Smith Road • PO Box 28157 • Bellingham, WA 98228-0157 | Email: sales@specfit.com

Bellingham: 360-398-7700 | 360-398-7051 Fax
Stevensville: 406-777-3466 | 406-777-7181 Fax
Mexico (Toll Free): 800-429-1705 | 800-574-1075 Fax

SIGNED DRAWINGS MUST ACCOMPANY PURCHASE ORDER OR DIMENSIONS OF FITTINGS WILL NOT BE GUARANTEED



SIZE	A	B
4"	2	3
6"	3.25	4.75
8"	4.25	6.5
10"	5.25	8
12"	6.25	9.5
15"	7.5	11.5
18"	9.25	14
21"	11	16.75
24"	12.25	18.5
27"	14	21.25
30"	16	24
36"	19	28.75
42"	11.25	22.5
48"	14	26.75

DISCLAIMER - PLEASE READ

- 1) All dimensions approximate, subject to change without notice
--Angle tolerance is +/- 2 degrees
--All other dimensions to +/- 1"
- 2) This drawing only applicable if a copy is referenced at time of order.
--Without a copy of drawing, fitting construction may differ from that shown.
- 3) Subject to Specified Fittings Standard Terms and Conditions.

Description: 45 DEGREE ELBOW
Material: PVC SDR 35
Part #'s: 81350(4-48)
Configuration: SOLVENT WELD X SOLVENT WELD

D.E.