



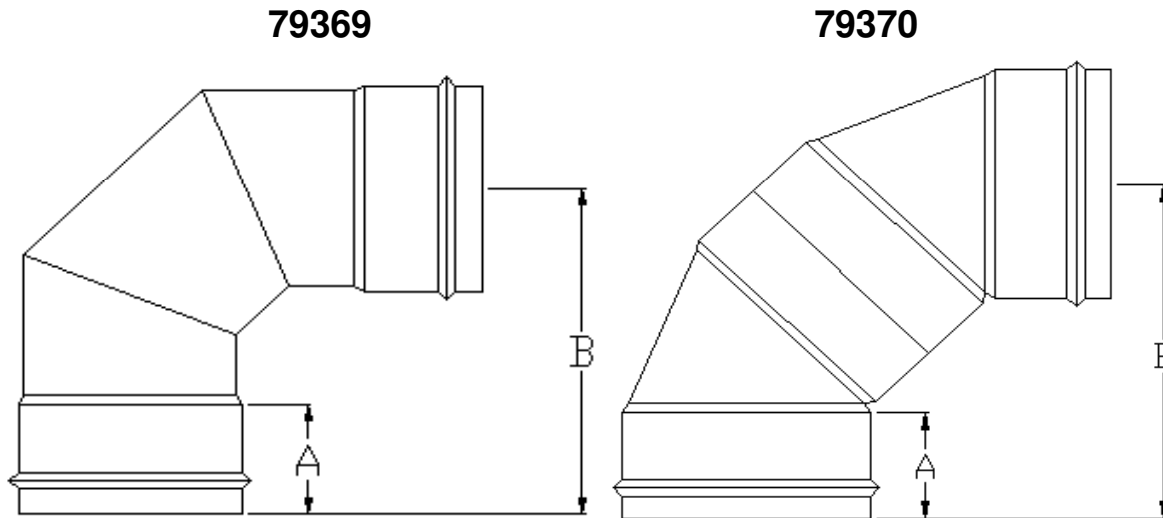
# Specified Fittings, LLC

164 West Smith Road • PO Box 28157 • Bellingham, WA 98228-0157 | Email: sales@specfit.com

Bellingham: 360-398-7700 | 360-398-7051 Fax  
Stevensville: 406-777-3466 | 406-777-7181 Fax  
Mexico (Toll Free): 800-429-1705 | 800-574-1075 Fax

## SIGNED DRAWINGS MUST ACCOMPANY PURCHASE ORDER OR DIMENSIONS OF FITTINGS WILL NOT BE GUARANTEED

SIZE	A	B	Part #
4"	4.5	9.75	793704
6"	4	14.25	793696
8"	5	17.5	793698
10"	5.5	18	7936910
12"	6.5	19.75	7936912
15"	8.5	25.5	7936915
18"	9.25	29.25	7937018
21"	10.25	32.5	7937021
24"	11.5	35.25	7937024
27"	12.5	38.25	7937027
30"	15.5	46.25	7937030
36"	17	52	7937036
42"	21	62.25	7937042
48"	20	65.25	7937048



### ***DISCLAIMER - PLEASE READ***

- 1) All dimensions approximate, subject to change without notice  
--Angle tolerance is +/- 2 degrees  
--All other dimensions to +/- 1"
- 2) This drawing only applicable if a copy is referenced at time of order.  
--Without a copy of drawing, fitting construction may differ from that shown.
- 3) Subject to Specified Fittings Standard Terms and Conditions.

Description: 90 DEGREE ELBOW  
 Material: PVC SDR 35  
 Part #'s: 79369(6-15), 79370(4, 18-48)  
 Configuration: GASKET X GASKET

D.E.