

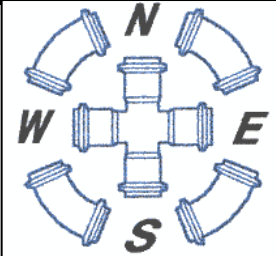
Specified Fittings, LLC

164 West Smith Road • PO Box 28157 • Bellingham, WA 98228-0157 | Email: sales@specfit.com

Bellingham: 360-398-7700 | 360-398-7051 Fax

Stevensville: 406-777-3466 | 406-777-7181 Fax

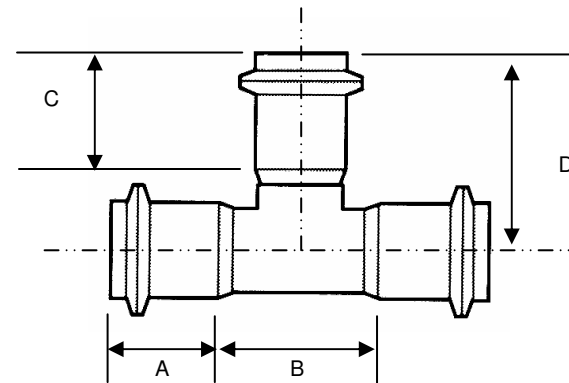
Mexico (Toll Free): 800-429-1705 | 800-574-1075 Fax



SIGNED DRAWINGS MUST ACCOMPANY PURCHASE ORDER OR DIMENSIONS OF FITTINGS WILL NOT BE GUARANTEED

DISCLAIMER - PLEASE READ

- 1) All dimensions approximate, subject to change without notice
--Angle tolerance is +/- 2 degrees
--All other dimensions to +/- 1"
- 2) This drawing only applicable if a copy is referenced at time of order.
--Without a copy of drawing, fitting construction may differ from that shown.
- 3) Subject to Specified Fittings Standard Terms and Conditions.



Description:	Tee
Material:	SDR26 Heavy Wall Sewer
Size:	See Chart
Configuration:	Gasket x Gasket x Gasket

GASKETED HEAVY WALL SEWER TEES

SIZE						8	10X4	10X6	10X8	10
A						5	6	6	6	6
B						12	7.5	9.5	11.75	13.75
C						5	3.5	4.5	5	6
D						12.75	10	12.75	13.75	15.25

SIZE	12X4	12X6	12X8	12X10	12	15X4	15X6	15X8	15X10	15X12
A	6.5	6.5	6.5	6.5	6.5	8	8	8	8	8
B	9	10	12.25	14.25	17.75	9	11	13.25	15.25	17.25
C	3.5	4.5	5	6	6.5	3.5	4.5	5	6	6.5
D	11	13.75	14.75	16.25	17	12.5	15.25	16.25	17.75	18.5

SIZE	15	18X4	18X6	18X8	18X10	18X12	18X15	18	21X4	21X6
A	8	9.25	9.25	9.25	9.25	9.25	9.25	9.25	11.25	11.25
B	20.25	9.25	11.25	13.5	15.5	17.5	20.5	24	10.5	12.5
C	8	3.5	4.5	5	6	6.5	8	9.25	3.5	4.5
D	21	14.25	16.75	18	19.25	20.25	22.5	24.75	15.75	18.5

SIZE	21X8	21X10	21X12	21X15	21X18	21	24X4	24X6	24X8	24X10
A	11.25	11.25	11.25	11.25	11.25	11.25	12.5	12.5	12.5	12.5
B	14.75	16.75	18.75	21.75	25.25	28.5	10.75	12.75	15	17
C	5	6	6.5	8	9.25	11.25	3.5	4.5	5	6
D	19.5	21	22	24.25	26	27.75	17.25	20	21	22.5

SIZE	24X12	24X15	24X18	24X21	24	27X4	27X6	27X8	27X10	27X12
A	12.5	12.5	12.5	12.5	12.5	13.5	13.5	13.5	13.5	13.5
B	19	22	25.5	28.75	36.25	12.5	14.5	16.75	18.75	20.75
C	6.5	8	9.25	11.25	12.5	3.5	4.5	5	6	6.5
D	23.25	25.5	27.5	29.25	31.75	18.75	21.5	22.5	24	24.75

SIZE	27X15	27X18	27X21	27X24	27
A	13.5	13.5	13.5	13.5	13.5
B	23.75	27.25	30.5	33.25	39
C	8	9.25	11.25	12.5	13.5
D	27.25	29	30.75	33.25	33.5