

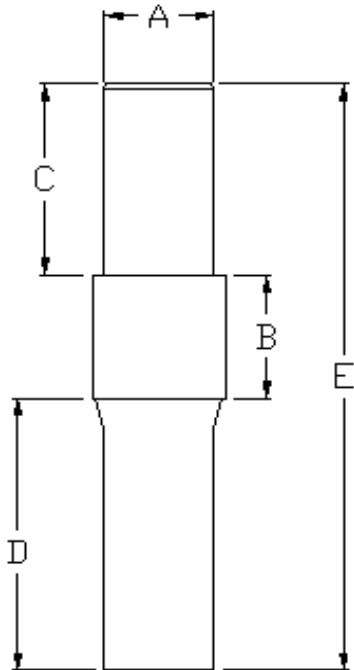


Specified Fittings, LLC

164 West Smith Road • PO Box 28157 • Bellingham, WA 98228-0157 | Email: sales@specfit.com

Bellingham: 360-398-7700 | 360-398-7051 Fax
Stevensville: 406-777-3466 | 406-777-7181 Fax
Mexico (Toll Free): 800-429-1705 | 800-574-1075 Fax

WELD ON OD BARB TRANSITION



SIZE	A	B	C	D	E
3"	3.5	3	7	4.5	14.5
4"	4.5	4	7.25	5	16.25
6"	6.625	4	10.25	7	21.25
8"	8.625	4	12.25	7.5	23.75
10"	10.75	4	13.75	7.5	25.25
12"	12.75	4	15.75	9	28.75
20"	20	6	17.5	10	33.5