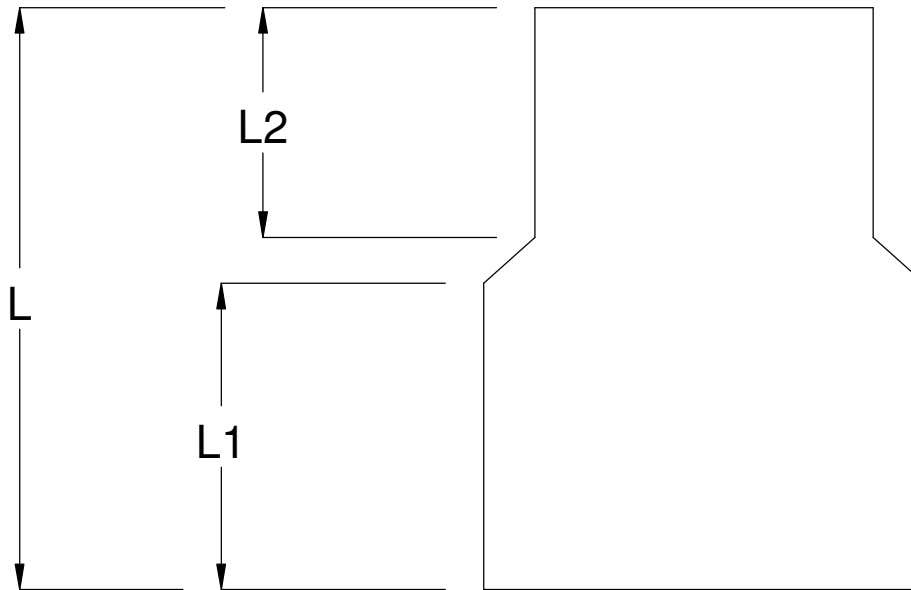




# Specified Fittings, LLC

164 West Smith Road • PO Box 28157 • Bellingham, WA 98228-0157 | Email: sales@specfit.com

Bellingham: 360-398-7700 | 360-398-7051 Fax  
Stevensville: 406-777-3466 | 406-777-7181 Fax  
Mexico (Toll Free): 800-429-1705 | 800-574-1075 Fax



SIZE	L1	L2	L
3x2	2.8	2.6	6
4x3	4	3	7.88
6x4	4	3.5	8.5
8x6	6	4.5	11.5
10x6	6	4.5	11.88
10x8	6	4.5	12
12x8	6.5	5.5	13.5
12x10	6.5	6	13.5

TITLE

INJECTION MOLDED REDUCERS  
DR7-17  
FM 150, 200, 250, 267, 335

DATE

3-21-2019

### **DISCLAIMER - PLEASE READ**

- 1) All dimensions approximate, subject to change without notice  
--Angle tolerance is +/- 2 degrees  
--All other dimensions to +/- 1"
- 2) This drawing only applicable if a copy is referenced at time of order.  
--Without a copy of drawing, fitting construction may differ from that shown.
- 3) Subject to Specified Fittings Standard Terms and Conditions.